



ATK COLLECTION

2018-2019

10  **ATK BINDINGS**
anniversary

MADE IN ITALY





SALITA
DISCESA
ESSENZA
ATK.

MADE IN ITALY





SUMMARY

07 | COMPANY PROFILE

14 | BINDINGS OVERVIEW

17 | RACE
Bindings
Collection

29 | SPEED TOURING
Bindings
Collection

37 | TOURING
Bindings
Collection

44 | FREE TOURING
Bindings
Collection

50 | RENTAL
Bindings
Collection

54 | ATK ACCESSORIES

63 | ATK SPARE PARTS

66 | ATK TOOLS

68 | ATK WORKSTATION

70 | MERCHANDISING & POP

71 | ATK DISTRIBUTOR



WE ARE ATK



10  **ATK BINDINGS**
anniversary

COMPANY PROFILE

It all started in October 2007 in Fiorano Modenese, a highly technological industrial district, in the middle of the Italian Motor Valley, where innovation and high quality mechanical components are engineered, developed, manufactured and exported all around the world. **ATK®** was founded by the Indulti family, private owner of OFFICINA GIMEC GROUP, a couple of companies specialized in high precision mechanical products for over 20 years. This entity provided the necessary financial resources, technology and logistics facilities to start-up the new **ATK®** adventure. Based on the skills and experience acquired in the field of high precision machining and thanks to a remarkable pioneering entrepreneurial spirit, ATK Bindings took its first steps in the Italian market.

It was a very fast growing: within two years (2008), **ATK®**, with its NX WORLD CUP, became Ski Mountaineering World Champion at the feet of DENNIS BRUNOD and MANFRED REICHEGGER.

Now, just 10 years later, **ATK®** can boast of being one of the leading companies for the production of super lightweight bindings, appreciated worldwide for the quality and performance of its innovative models, challenging every day to bring the right products at the right moment to the world market, introducing on exclusive technical evolutions in a very short time including several internationally extended patents.

ATK® research is always focusing to reach higher and higher performances and quality in order to offer a growing range of top level products with extreme lightness for the best user experience.

Starting from the high performance standards and quality required in the world of competitions, **ATK®** decided in recent years to extend its target market and to address its product the wider world of modern ski touring and free-ride in order to increase, season by season, the satisfaction of more and more end-users.

OUR MISSION: COSTANT REASEACH, INNOVATION, TOP QUALITY AND EFFICIENT SERVICE

OUR VISION: «We are firmly convinced about our positioning in the worldwide market as a company and people focused on the craftsmanship and the absolute value of the Made in Italy research, design and production. We escape from the industrial system, that would lead us to compromises in terms of quality, design and performance.

We want to reach the summit together with our customers, and offer them the best support for their dreams!».

#WE ARE ATK





MADE IN ITALY

ATK products are made in Italy, reliable and resistant over time thanks to the use of TOP quality materials.

ATK headquarters are located in Fiorano Modenese, in the province of Modena. This area is recognized as one of the most technological in the world, especially for mechanics and robotic business, thanks to the massive presence of Motor Sport and High-end Automotive brands (Ferrari®, Lamborghini®, Maserati®, Pagani®, Ducati®... all in a range of 30 km from our company).

This precious context of innovative companies and relative suppliers, creates the perfect conditions for the production of our products that are proudly designed, produced and assembled in Spezzano di Fiorano (MODENA, EMILIA ROMAGNA, ITALY), by qualified personnel who take care of all the details during construction.

The productive cost for such a process results extremely high, especially if compared to productions realized in the Far East, where several of our competitors decided to set up their own productive plants. ATK aims different: each ATK masterpiece raises from Italian Minds and is created by Italian Hands, in the same place where everything was conceived, with benefits (top quality, reactivity, social effects...) and deficits (costs) coming from this (nowadays) unusual choice.

GIOVANNI INDULTI
ATK BINDINGS Ceo&Founder



#WE ARE ATK

10  **ATK BINDINGS**
anniversary





TECHNOLOGY AND INNOVATION

ATK® invests over 80% of its net incomings in R&D, international patents and innovative productive techniques, such as testing machineries and low impact buildings. Our bindings are fully produced in Fiorano Modenese with the latest C.N.C. techniques and machinery, in order to offer an absolute precision with the lightest weight possible: the riding experience is always on the top of our mission. Connected to this, we are extremely proud to announce that 100% of this know-how and investments in technology are self-supported by the company, this gives even more value to the goals that we reach and let us free to keep our own direction, without contaminations from the outside.

From ideas to final products: the complete process is carried out under the principals of "4.0 industry", where technology and people know-how are melting together to achieve the highest process quality.

ECO FRIENDLY

The ATK production is mainly realized with GREEN-ENERGY thanks to the huge solar plant that was installed on the productive buildings and partially satisfies the energy needs of the company. At the same time, 20 INNOVATIVE SOLAR TUBES have been installed to drop the sun light into the productive plants, providing natural light for better working conditions, and cutting down again our need of energy. All the night-time illumination is provided by LED stripes, that replaced the old Neon tubes (-50% energy waste).

Warming and Cooling actions of all the company are driven by an innovative system made of a 3 cylinder Toyota® engine running with methane gas: the result is 50% reduction in costs and 80% in environmental impacts, thanks to the starting investment that was nearly 3 times over a standard system.

The last investment that the ATK board promoted in this field was the installation of a self-developed system which collects the hot air coming from the productive machineries, cleans it, and spreads it into the several building areas, almost deleting the need of rooms heating.





ATK® WARRANTY

ATK proudly guarantees the quality and long-lasting function of its products: our mission is to rise day-by-day reliability and performance.

To learn more about ATK warranty conditions, please check and read carefully the "USER'S GUIDE" of your ATK product.

ATK® guarantees that the product is free from manufacturing or material defects for a period of two years (2) starting from the date of purchase throughout an authorized dealer of ATK® products. The effective date of the warranty must be supported by the proof of purchase: without the original proof of purchase, the temporal effect will start from the day when the product has left the ATK® warehouses.

The warranty is applied to each product which represents a conformity defect, even if used correctly, respecting its intended destination of use and all the elements present in the provided documentation for the use explanation.

For a warranty activation – which may involve a choice of ATK to substitute or repair the product – the customer must reach one of the ATK AUTHORIZED DEALERS, and in case that all the warranty conditions will be satisfied, a warranty operation will be activated. In case that the application of the ATK WARRANTY PROCEDURE requires the entire return of the product, the product itself must be returned inside the original box, complete in all its parts.

We stand ready to answer any questions or to provide any information regarding our warranty policy and the functionality of our products. Please contact the ATK® SERVICE TEAM at: service@atkbindings.com

ATK® SERVICE

We are always AT YOUR SERVICE!

Our bindings are realized with the best quality and the highest technology standards in order to reach unique performances in terms of lightness, results and user-experience. However, an intense and prolonged use could lead to the need of an official ATK® SERVICE, directly realized by our technicians in Fiorano Modenese.

In case that your bindings require assistance, contact us! Our technicians will answer you within 24hours driving you to the fastest solution possible.

You can write and email to service@atkbindings.com or visit our web site www.atkbindings.com (click on " TECHNICAL SUPPORT").

You will be linked to our "SERVICE REQUEST FORM" where to fill all the required information, including photos, texts and personal data.

No other company cares about its creations like we do with our bindings!





MADE IN ITALY



RACE



R.C.A.
World Cup Vertical

90
GRAMS



REVOLUTION
World Cup

105
GRAMS



SL EVO
World Cup

110
GRAMS



SL EVO LIGHTWEIGHT
World Cup

110
GRAMS



TROFEO

145
GRAMS

SPEED TOURING



SLR
RELEASE

125
GRAMS



TROFEO
PLUS

145
GRAMS



HAUTE
ROUTE 2.0

165
GRAMS



LEASH, CRAMPONS SLOT & R01
ADJUSTMENT PLATE INCLUDED

+40
GRAMS

TOURING



CREST

280
GRAMS



RT 2.0

290
GRAMS



RT 2.0
LIGHTWEIGHT

290
GRAMS

RENTAL



RENT ME

420
GRAMS

FREE TOURING



RAIDER12
2.0

350
GRAMS

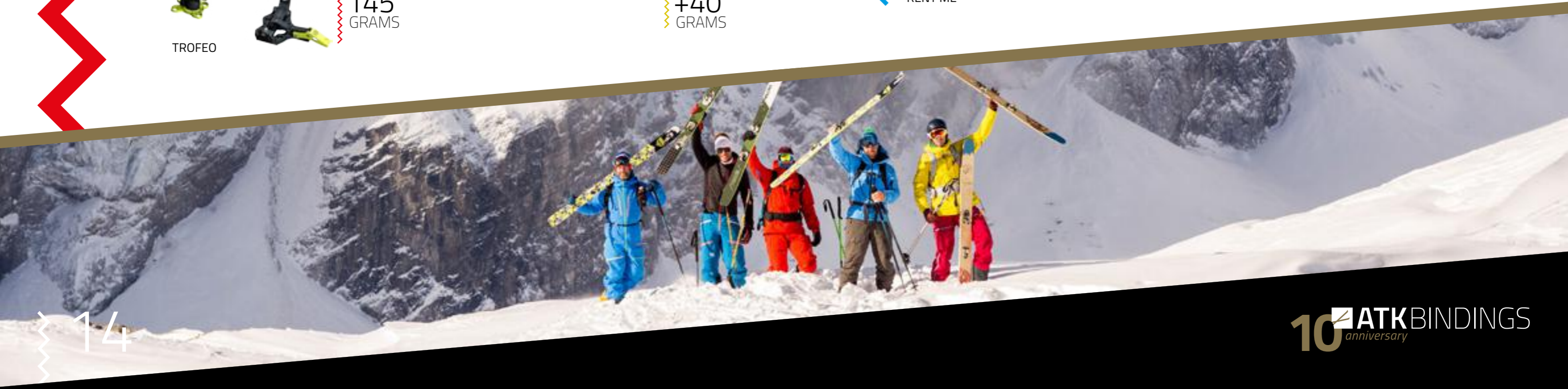


FREERAIDER14
2.0

395
GRAMS

2018/2019 COLLECTION

ATK® bindings conquered all the rankings in recent years together with the world leading athletes. High quality standards, top materials and great riding performance are mixed up to meet the needs of all our customers, from the most experienced athlete to the dynamic and extreme young freeriders. Choose the model that best suits your needs!





MADE IN ITALY



RACE



RACE



MICHELE BOSCACCI
World Champion and ATK
INTERNATIONAL TEAM ATHLETE

R.C.A

World Cup Vertical

90 grams



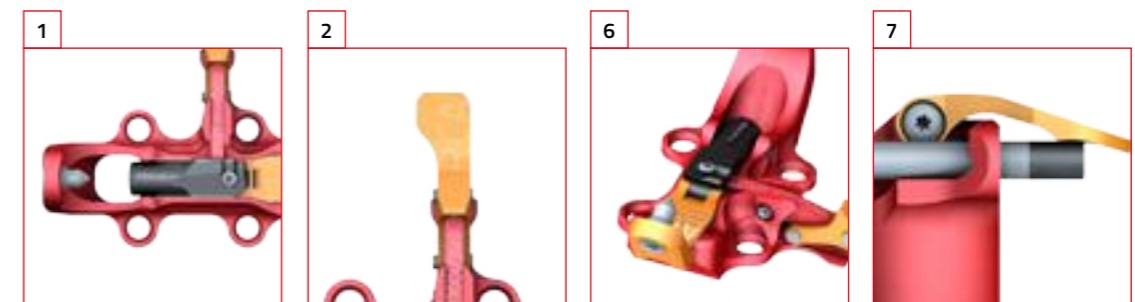
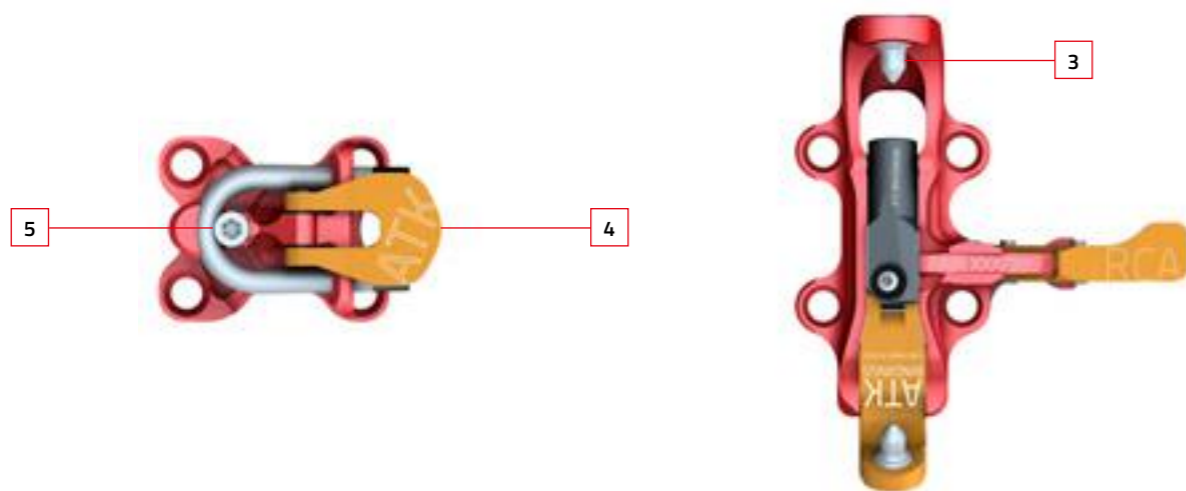
RACE

The lightest jewel for your vertical races! Meticulously designed in every detail, with essential and elegant lines, it is the ideal binding for all those skiers for whom every single gram counts. A pure concentration of innovation to get the best performance ever in vertical races.

ATK
LIMITED
EDITION

- > **Materials** Alu Alloys, Ti, POM
- > **Release Race Setting**
- > LIMITED EDITION: only on preorders

1. MONOLINK TECHNOLOGY 2.0 provides all the conditions to fasten-up the weight reduction of the toe part.
2. The R.C.A. binding shows a left hand and a right hand toe part, in order to keep the fixed toe arm always at the internal side of the ski.
3. The MONOLINK TECHNOLOGY 2.0 provides an ultra rigid base-plate.
4. Adjustable Heel Cover: the ATK heel cover presents an adjustable rotation hardness system to provide the perfect stability during the years.
5. RACE SETTING: the side release (Mz) of the binding is fixed at a certain value (ca. 8), defined in the years by our athletes team to be the best balance between safety and stability.
6. RACE SETTING: the Vertical release (My) of the binding is fixed at a certain value (ca. 9), defined in the years by our athletes team to be the best balance between safety and stability.
7. The ROLLING-IN SYSTEM® provides a softer heel hooking and eliminates the typical wear and tear of the titanium "U" spring.

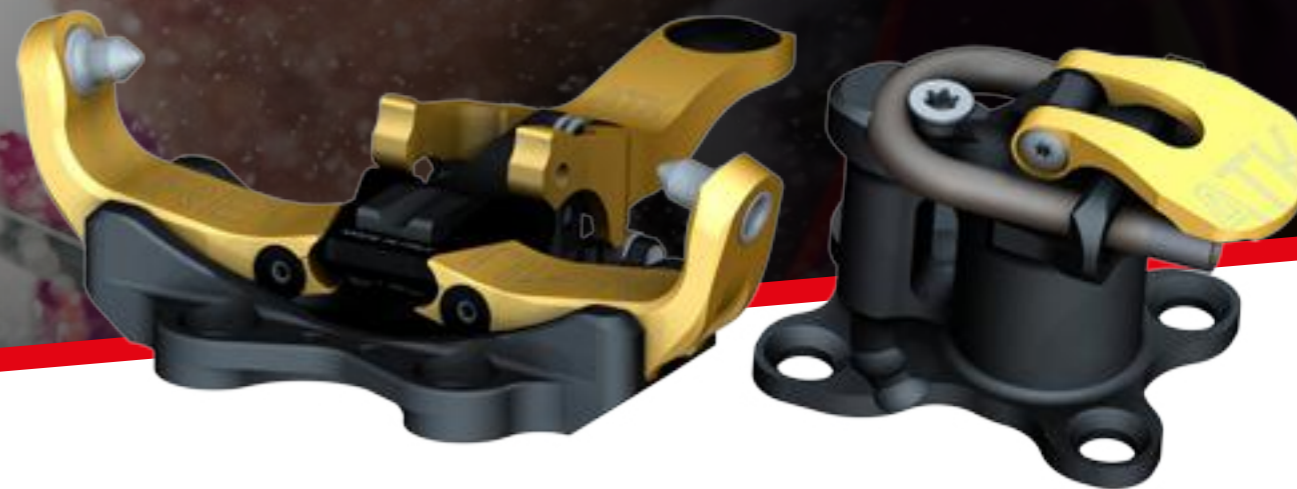




REVOLUTION

World Cup

105 grams



RACE

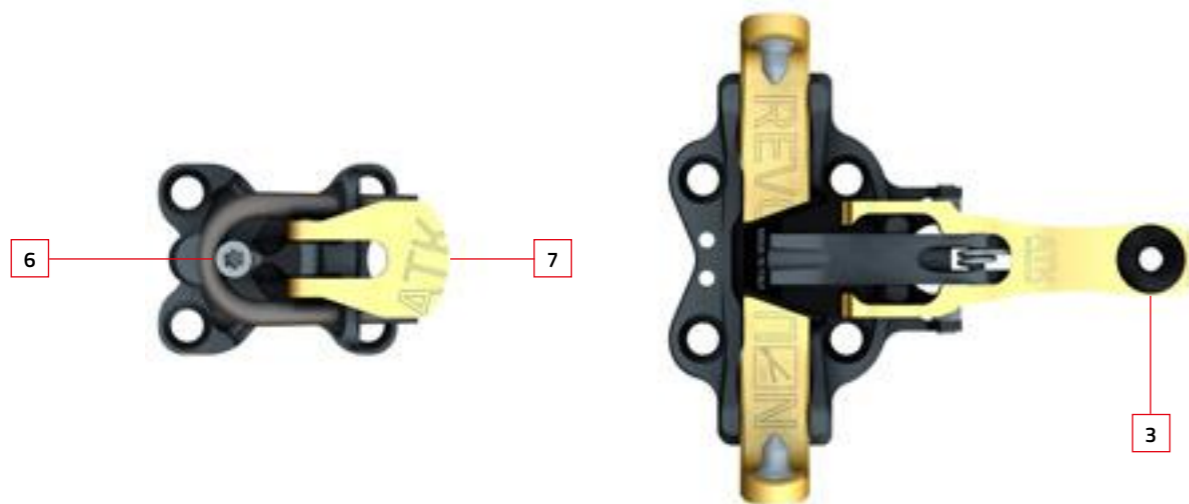
The ATK BRANDED masterpiece.
 Revolutionary technologies, incredible reactivity, increased comfort of use and maximum lightness for the top race performance.

ATK
 LIMITED
 EDITION

EASY
 ENTRY
 SYSTEM

- > **Materials** Alu Alloys, Ti, POM
- > **Release** Race Setting
- > **Adjustment** Optional Plates
- > Limited edition: only on preorders

1. As any other ATK binding in the 2019 collection, the REVOLUTION World Cup presents the EASY ENTRY SYSTEM that optimizes the bootstep-in, which results extremely reactive and powerful.
2. The front lever is now longer to improve the ease of use, and provide an even more comfortable handling of the toe.
3. The plastic protector reduces the wear and tear of the toe lever.
4. The ROLLING-IN SYSTEM® provides a softer heel hooking and eliminates the typical wear and tear of the titanium "U" spring.
5. RACE SETTING: the Vertical release (My) of the binding is fixed at a certain value (ca. 9), defined in the years by our athletes team to be the best balance between safety and stability.
6. RACE SETTING: the side release of the binding is fixed at a certain value (ca. 8), defined in the years by our athletes team to be the best balance between safety and stability.
7. Adjustable Heel Cover: the ATK heel cover presents an adjustable rotation hardness system to provide the perfect stability during the years.





SL EVO

World Cup

110 grams



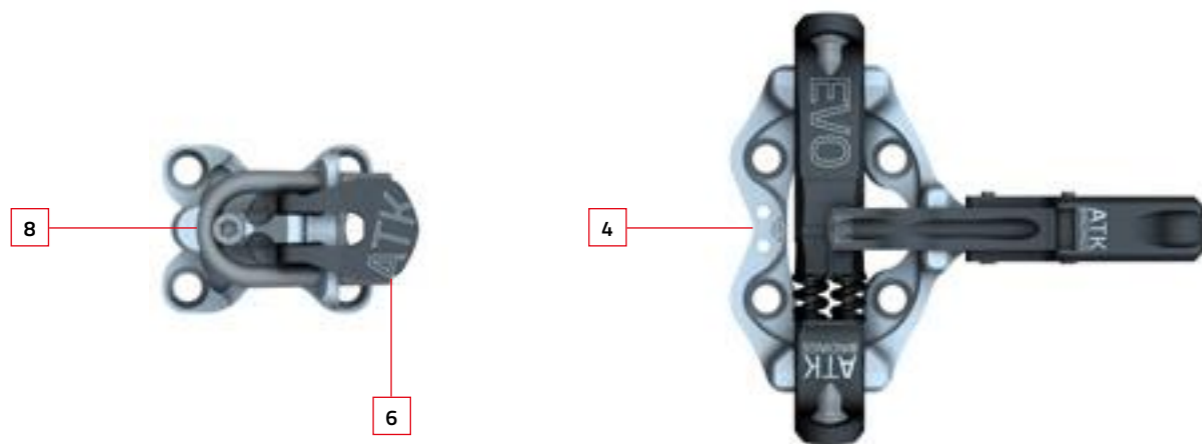
RACE

The latest evolution of our historical race binding SL World Cup: quality, strength, reliability connected with a winning price/performance ratio! A solid engineering process led us to the creation of a state-of-the-art binding in terms of lightness and performance.



- > **Materials** Alu Alloys, Ti, POM
- > **Release** Race Setting
- > **Adjustment** Optional Plates
- > Always available

1. Easy Entry System : New toe geometry that optimizes the boot step-in, which results extremely reactive and powerful.
2. Monolink Technology 1.0 : One of the toe arms does not present springs, and provides an higher clamping stiffness in addition to a lower weight.
3. New Lever Design : the new front lever design provides a more comfortable activation of the same, adding a seat for the pole tip stabilization during the front release.
4. The toe fits with the SRA optional crampons slot.
5. The toe lever presents a wider leash hooking hollow for a simpler insertion of the same.
6. Adjustable Heel Cover: the ATK heel cover presents an adjustable rotation hardness system to provide the perfect stability during the years.
7. The "U" spring is shaped out from titanium to assure extreme lightness combined with resistance.
8. RACE SETTING: the side release of the binding is fixed at a certain value (ca. 8), defined in the years by our athletes team to be the best balance between safety and stability.
9. RACE SETTING: the Vertical release (My) of the binding is fixed at a certain value (ca. 9), defined in the years by our athletes team to be the best balance between safety and stability.





SL EVO LIGHTWEIGHT

World Cup 110 grams



Special design
for lightweight users



RACE

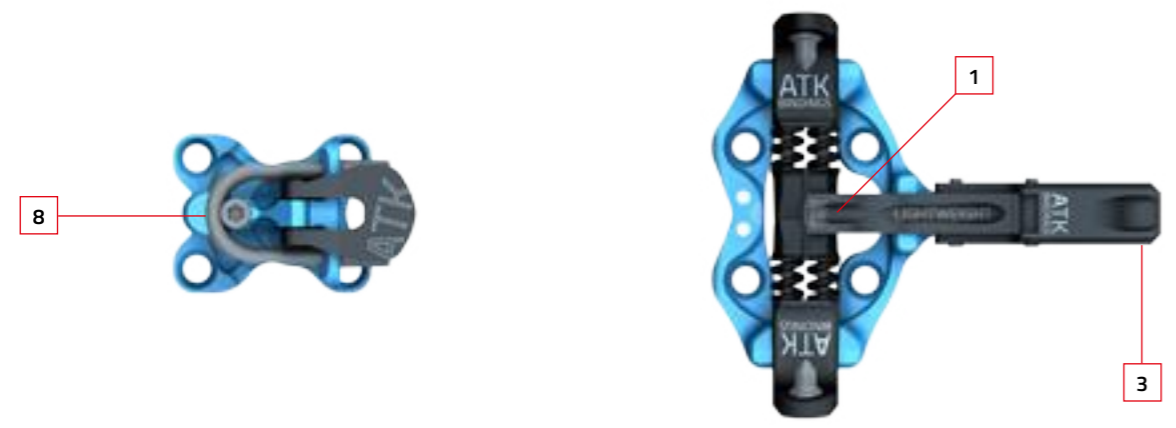
Dedicated to lightweight racers who want to get the most out from their gear: stylish color combined with simplified handling of the binding thanks to smoother and more gentle springs both in the toe and heel part for easier hooking and lower release value.

ATK
LIMITED
EDITION

EASY
ENTRY
SYSTEM

- > **Materials** Alu Alloys, Ti, POM
- > **Release** Lightweight Race Setting
- > **Adjustment** Optional Plates
- > Only on pre-orders

1. Easy Entry System : New toe geometry that optimizes the boot step-in, which results extremely reactive and powerful.
2. Monolink Technology 1.0: One of the toe arms does not present springs, and provides an higher locking stiffness in addition to a lower weight.
3. New Lever Design : the new front lever design provides a more comfortable activation of the same, adding a seat for the pole tip stabilization during the front release.
4. The toe lever presents a wider leash hooking hollow for a simpler insertion of the same.
5. Adjustable Heel Cover: the ATK heel cover presents an adjustable rotation hardness system to provide the perfect stability during the years.
6. The "U" spring is shaped out from titanium to assure extreme lightness combined with resistance.
7. LIGHTWEIGHT RACE SETTING: The Side release (Mz) of the binding is fixed at a certain value (ca. 6), defined in the years by our athletes team to be the best balance between safety and stability in case of lightweight users.
8. LIGHTWEIGHT RACE SETTING: The Vertical release (My) of the binding is fixed at a certain value (ca. 6), defined in the years by our athletes team to be the best balance between safety and stability in case of lightweight users.





TROFEO

145 grams



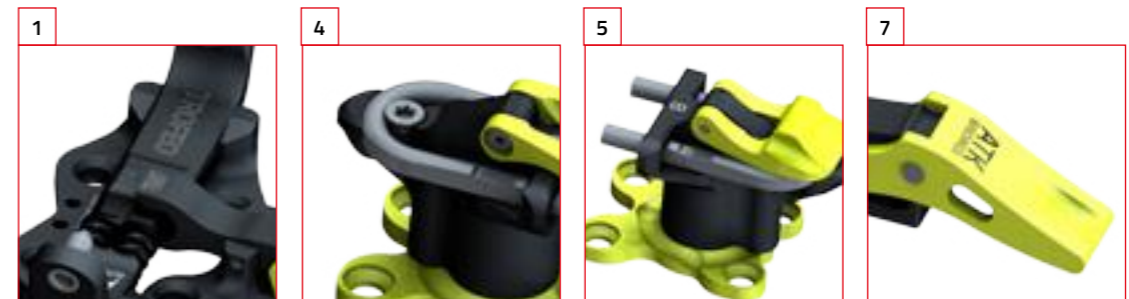
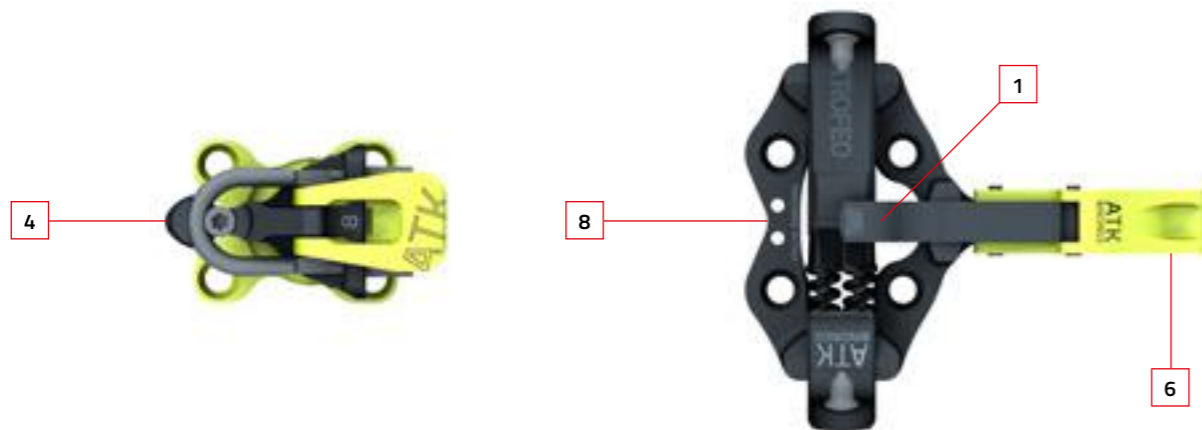
RACE

The usual ATK quality and performance, combined with an aggressive price. Simplicity, lightness, strength, reliability and safety make it the best friend for several mountain activities such as the first steps into the racing circus, fast slope afterwork training and the toughest descents on the alps.



- > **Materials** Alu Alloys, Stainless Steel, POM
- > **Release** 4, 6, 8, 10
- > **Adjustment** Optional Plates
- > Always available

1. Easy Entry System : New toe geometry that optimizes the boot step-in, which results extremely reactive and powerful.
2. Monolink Technology 1.0 : One of the toe arms does not present springs, and provides an higher locking stiffness in addition to a lower weight.
3. This binding is sold in 4 different versions of fixed Vertical (My) and Side (Mz) release values; while purchasing, the customer can choose in between fixed release values 4, 6, 8 and 10.
4. A simple, race-style, heel flap provides 3 walking modes: FLAT MODE, +37 mm and +45 mm by turning the heel of 180°.
5. A new lever geometry provides and easier handling of the locking operations such a stoe opening with poles, thanks to a wides pole tip seat.
6. The toe lever presents a wider leash hooking hollow for a simpler insertion of the same.
7. The toe fits with the SRA optional crampons slot.





MADE IN ITALY



SPEED TOURING



SPEED TOURING



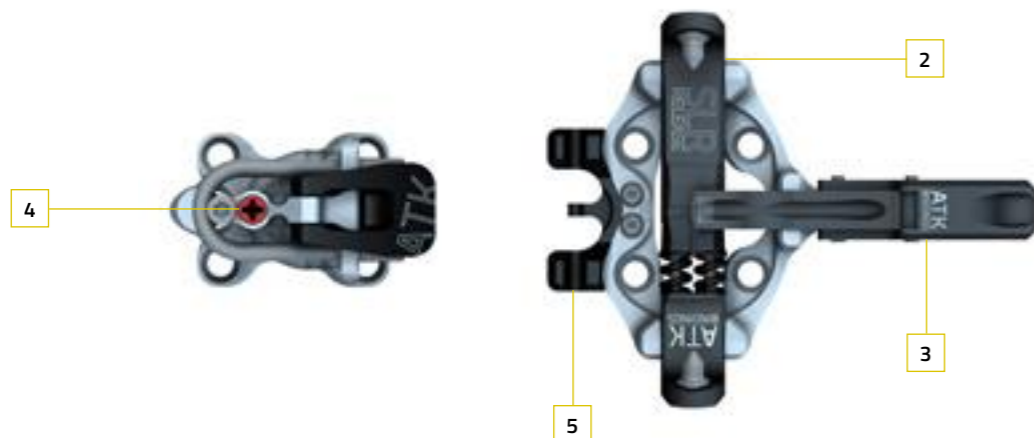
SLR RELEASE

125 grams

Lightness and increasing safety are mixed in a unprecedented synergy, offering maximum performance in a minimalist style. An innovative heel part which provides a 5 to 10 side release adjustment and a fixed vertical release available in 4 different values: 4,6,8,10.

4 VERSIONS AVAILABLE:
SLR Release 4, SLR Release 6, SLR Release 8, SLR Release 10.

- > **Materials** Alu Alloys, POM, Stainless Steel
- > **Release** Adjustable side release (5-10), fixed vertical release (4,6,8,10)
- > **Adjustment** 30 mm adjustment plates included
- > Always available



1. Easy Entry System : New toe geometry that optimizes the boot step-in, which results extremely reactive and powerful.
2. Monolink Technology 1.0 : One of the toe arms does not present springs, and provides an higher locking stiffness in addition to a lower weight.
3. New Lever Design: the new front lever design provides a more comfortable activation of the same, adding a seat for the pole tip stabilization during the front release.
4. The side release (Mz) can be adjusted in between values 5 and 10, thanks to the red screw placed on the top of the heel.
5. The SRA CRAMPONS SLOT is included with the binding.
6. The toe lever presents a wider leash hooking hollow for a simpler insertion of the same.
7. The Heel Flap with raiser provides 3 walking modes: FLAT MODE, + 37 mm and + 50 mm.
8. The Vertical release (My) is provided by the "U" shaped heel spring. The binding is offered in 4 versions with four different My release values: 4, 6, 8, 10.



SPEED TOURING



TROFEO PLUS

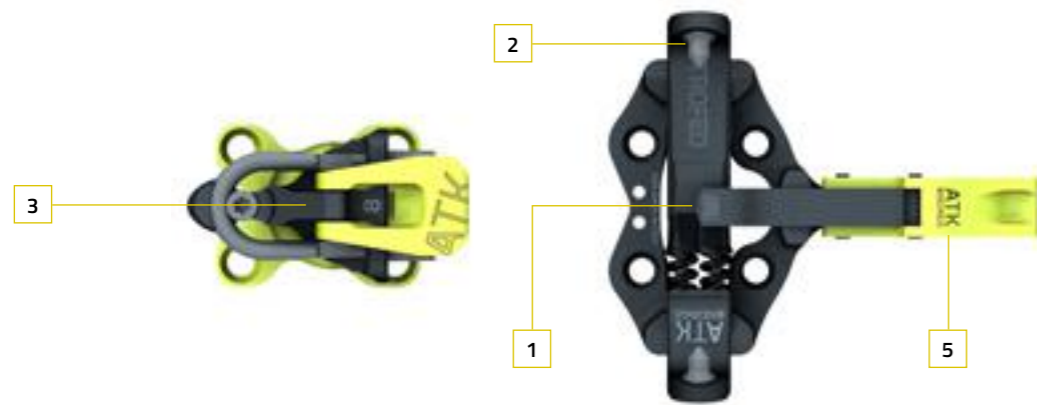
145 grams

SPEED TOURING

Have you ever thought about a lightweight, strong and safe DEFINED RELEASE binding, able to eliminate any distance between you and the toughest downhills of the Alps? TROFEO PLUS starts a new era, where an extreme lightweight is combined with an astonishing structural solidity and a never-seen skiing performance



- > **Materials** Alu Alloys, POM, Stainless Steel
- > **Release** 4, 6, 8, 10
- > **Adjustment** 30 mm adjustment plate included
- > Always available



1. Easy Entry System : New toe geometry that optimizes the boot step-in, which results extremely reactive and powerful.
2. Monolink Technology 1.0 : One of the toe arms does not present springs, and provides a higher locking stiffness in addition to a lower weight.
3. This binding is sold in 4 different versions of fixed Vertical (My) and Side (Mz) release values; while purchasing, the customer can choose in between fixed release values 4, 6, 8 and 10.
4. A simple, race-style, heel flap provides 3 walking modes: FLAT MODE, +37 mm and +45 mm by turning the heel of 180°.
5. A new lever geometry provides and easier handling of the locking operations such a stoe opening with poles, thanks to a wides pole tip seat.
6. The toe lever presents a wider leash hooking hollow for a simpler insertion of the same.
7. SRA CRAMPONS SLOT included.
8. A 30 mm adjustment plate is included with the binding.





HAUTE ROUTE 2.0

165 grams

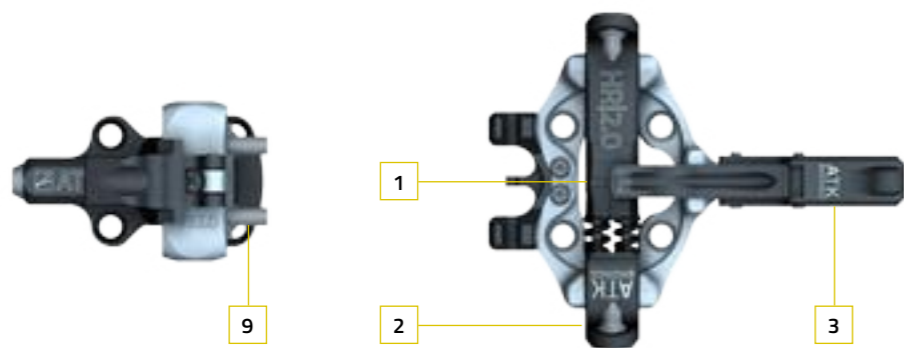


SPEED TOURING

Ease of use, up-hill performance, absolute down-hill conduction: the Haute Route of your dreams! HR 2.0 is the evolution of the HAUTE ROUTE binding, dedicated to the advanced ski touring with huge ascensions, on which our designers applied specifics evolutions in the sake of comfort and ease of use, without affecting the absolute performance.



- > **Materials** Alu Alloys, POM, Stainless Steel
- > **Release** 5-10
- > **Adjustment** 30 mm adjustment plate included
- > Always available



1. Easy Entry System: New toe geometry that optimizes the boot step-in, which results extremely reactive and powerful.
2. Monolink Technology 1.0: One of the toe arms does not present springs, and provides an higher locking stiffness in addition to a lower weight.
3. New Lever Design : the new front lever design provides a more comfortable activation of the same, adding a seat for the pole tip stabilization during the front release.
4. The SRA CRAMPONS SLOT is included with the binding.
5. The toe lever presents a wider leash hooking hollow for a simpler insertion of the same.
6. Integrated heel flap with raiser provides 3 different walking modes: FLAT MODE, +36 mm and +50 mm.
7. The Lateral release (Mz) system provides a 5 to10 adjustment range.
8. The Vertical release (My) system provides a 5 to10 adjustment range.
9. CAM RELEASE SYSTEM: stabilizes the heel pins and provides the typical torsional stiffness of the ATK bindings.





MADE IN ITALY



TOURING



TOURING



CREST

280 grams



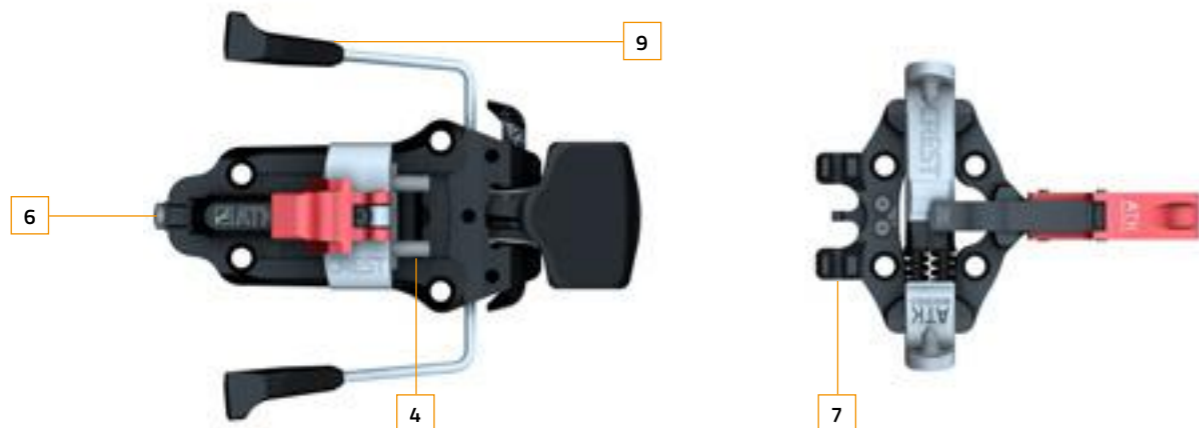
TOURING

Under the same light of SLR LOGIC, the CREST binding introduces itself as a top quality product with a lower purchase effort of the consumer. This cost reduction does not come from a lower quality or reduced performance of the product, but from a different approach to the design of the same: simpler lines, less milling in the sake of weight reduction and the introduction of a new ski-brake system (different sizes available).

EASY ENTRY SYSTEM

- > **Materials** Alu Alloys, POM, Stainless Steel
- > **Release** 5-10
- > **Adjustment** 20 mm
- > **Ski brake** 75, 86, 91, 97, 102, 108, 120 mm
- > Always available

1. **WEIGHT:** 280 grams per foot, including brakes.
2. **RELEASE VALUES:** fully adjustable Mz and My release systems (5 to 10).
3. **ELASTIC RESPONSE SYSTEM®:** elastic travel on the heel to provide a perfect ski flex.
4. **CAM RELEASE SYSTEM®:** super stable down-hill performance, precise vertical release.
5. **WALKING MODES:** 3 different levels (flat, +37mm, +50mm).
6. **BOOT SIZE ADJUSTMENT:** 20 mm (+-10 mm)
7. **SRA crampons slot** included with the binding.
8. **INCLUDED SKI BRAKES:** (available sizes 75, 86, 91, 97, 102, 108, 120 mm).
9. **BRAKE CAPS:** wider, +50% braking performance, co-molded on the brake arms.





RT 2.0

290 grams



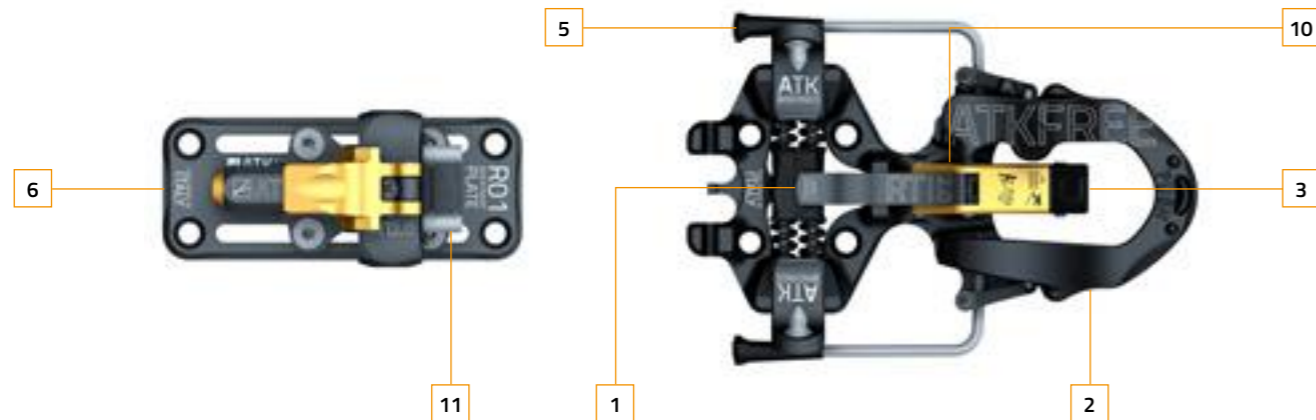
TOURING

RT 2.0 easily introduces itself into the "TOURING" category of the ATK catalogue, where lightness, skiing performance and absolute reliability are the guidelines that gave birth to this new mechanical masterpiece.



- > **Materials** Alu Alloys, POM, Stainless Steel
- > **Release** 5-10
- > **Adjustment** 30 mm adjustment plates included
- > **Ski brake** 75, 86, 91, 97 mm
- > Always available

1. Easy Entry System : New toe geometry that optimizes the boot step-in, which results extremely reactive and powerful.
2. Included Ski-brakes: the binding offers different sizes (75, 86, 91, 97) of front brakes to provide the perfect fit with any ski model.
3. The lever presents a plastic protection which prevents wear and tear of the alu-lever!
4. The built-in crampons slot assures the perfect insertion of any ATK BINDINGS crampon size.
5. Wider brakes caps for a better braking efficiency.
6. A 30 mm adjustment plate is included into the binding box to assure a fast adjustment in case of boot substitution (up to 3 full sizes)
7. The heel flap with raiser provides 3 different walking modes: FLAT MODE, +36 mm and +50 mm.
8. The heel provides a 5-10 adjustment range for the Side Release System (Mz).
9. The heel provides a 5-10 adjustment range for the Vertical Release System (My).
10. "U.H.V" Up-hill Hardness Variator: this system provides 5 different pre-charges for the up-hill boot clamping hardness.
11. CAM RELEASE SYSTEM: stabilizes the heel pins and provides the typical torsional stiffness of the ATK bindings.





RT 2.0 LIGHTWEIGHT

290 grams



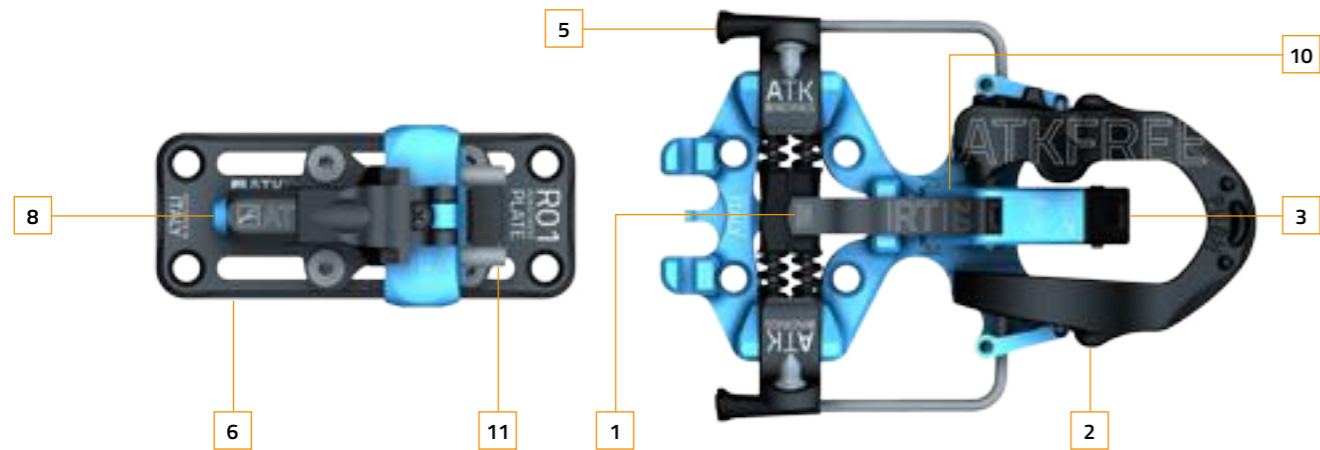
TOURING

To provide the best possible response to the lightweight skiers needs, ATK has developed this version of the RT 2.0. Dedicated to the youngest and to the fair sex: delicate and ergonomic step in, lower release system combined with a charming color and a fashionable design.



- > **Materials** Alu Alloys, POM, Stainless Steel
- > **Release** 4-8
- > **Adjustment** 30 mm adjustment plates included
- > **Ski brake** 75, 86, 91, 97 mm
- > Always available

1. Easy Entry System : New toe geometry that optimizes the boot step-in, which results extremely reactive and powerful.
2. Included Ski-brakes: the binding offers different sizes (75, 86, 91, 97) of front brakes to provide the perfect fit with any ski model.
3. The lever presents a plastic protection which prevents wear and tear of the alu-lever!
4. The built-in crampons slot assures the perfect insertion of any ATK BINDINGS crampon size.
5. Wider brakes caps for a better braking efficiency.
6. A 30 mm adjustment plate is included into the binding box to assure a fast adjustment in case of boot substitution (up to 3 full sizes)
7. The heel flap with raiser provides 3 different walking modes: FLAT MODE, +36 mm and +50 mm.
8. The heel provides a 4-8 adjustment range for the Side Release System (Mz), specifically developed for LIGHTWEIGHT USERS.
9. The heel provides a 4-8 adjustment range for the Vertical Release System (My), specifically developed for LIGHTWEIGHT USERS.
10. "U.H.V" Up-hill Hardness Variator: this system provides 5 different pre-charges for the up-hill boot clamping hardness.
11. CAM RELEASE SYSTEM: stabilizes the heel pins and provides the typical torsional stiffness of the ATK bindings.





MADE IN ITALY



FREE TOURING



FREE TOURING



RAIDER 12 2.0

350 grams



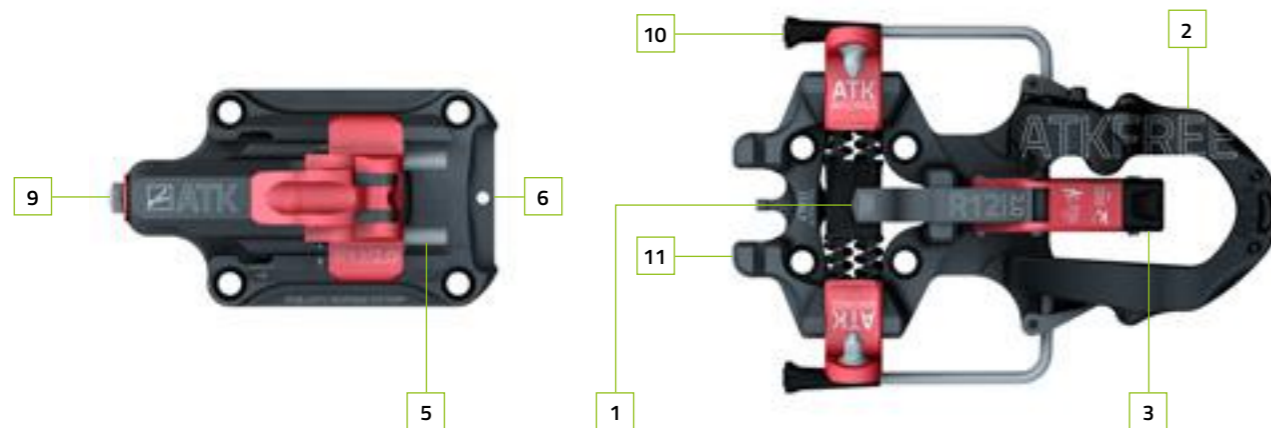
FREE TOURING

R12 2.0 is the exact choice for the latest generation of freetourers looking for performance and comfort at the same time. Extreme stiffness of the boot/ski connection, no torsional movements, precise release for the greatest riding emotions ever.



- > **Materials** Alu Alloys, POM, Stainless Steel
- > **Release** 5-12
- > **Adjustment** 30 mm
- > **Ski brake** 86, 91, 97, 102, 108, 120 mm
- > Always available

1. Easy Entry System: New toe geometry that optimizes the boot step-in, which results extremely reactive and powerful.
2. Included Ski-brakes: the binding offers different sizes (86, 91, 97, 102, 108, 120 mm) of front brakes to provide the perfect fit with any ski model.
3. The lever presents a plastic protection which prevents wear and tear of the alu-lever!
4. The MAGNETO® HEEL FLAPS SYSTEM provides 5 walking modes: FLAT MODE, +38 mm, +41 mm, +48 mm, +58 mm.
5. CAM RELEASE SYSTEM: stabilizes the heel pins and provides the typical torsional stiffness of the ATK bindings.
6. The heel part fits with the AL07 FREE-RIDE SPACER
7. The ElasticResponseSystem absorbs the ski compressions, reducing the pressure on the skiing system and keeping the correct ski radius at any condition.
8. The heel provides a 5-12 adjustment range both for the Vertical Release System (My) and the Lateral Release System (Mz)
9. The heel plate provides 30 mm of fast adjustment
10. New braking caps for an improved braking efficiency
11. Integrated crampons slot that fits with any ATK original crampon.





FREERAIDER 14 2.0

395 grams



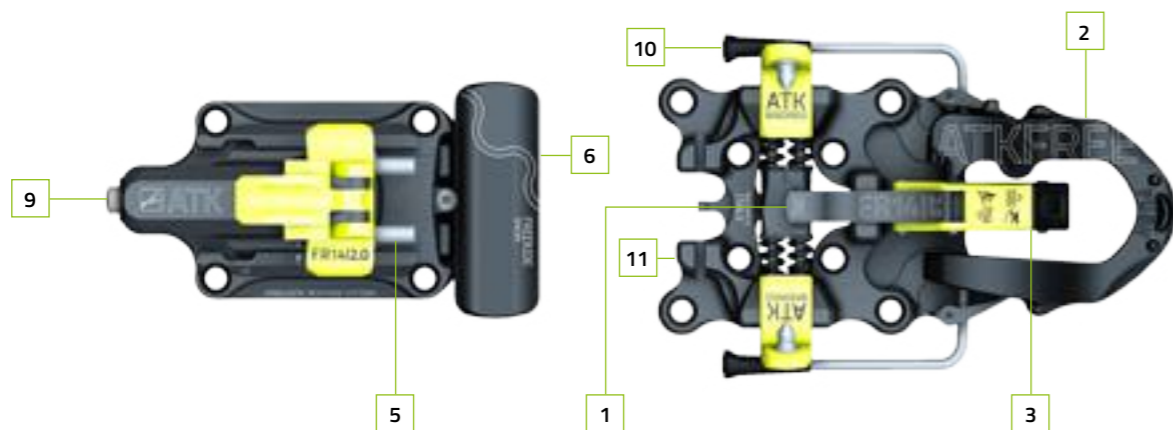
FREE TOURING

The ultimate freeride binding for the greatest feelings that fresh snow skiing can give. Power and extreme precision combined to lightness make it the ideal ally to face every possible condition of snow and go beyond its own limits.



- > **Materials** Alu Alloys, POM, Stainless Steel
- > **Release** 8-14
- > **Adjustment** 30 mm
- > **Ski brake** 97, 102, 108, 120 mm
- > Always available

1. Easy Entry System: New toe geometry that optimizes the boot step-in, which results extremely reactive and powerful.
2. Included Ski-brakes: the binding offers different sizes (86, 91, 97, 102, 108, 120 mm) of front brakes to provide the perfect fit with any ski model.
3. The lever presents a plastic protection which prevents wear and tear of the alu-lever!
4. The MAGNETO® HEEL FLAPS SYSTEM provides 5 walking modes: FLAT MODE, +38 mm, +41 mm, +48 mm, +58 mm.
5. CAM RELEASE SYSTEM: stabilizes the heel pins and provides the typical torsional stiffness of the ATK bindings.
6. The heel part fits with the AL07 FREE-RIDE SPACER
7. The ElasticResponseSystem absorbs the ski compressions, reducing the pressure on the skiing system and keeping the correct ski radius at any condition.
8. The heel provides a 8-14 adjustment range both for the Vertical Release System (My) and the Lateral Release System (Mz)
9. The heel plate provides 30 mm of fast adjustment
10. New braking caps for an improved braking efficiency
11. Integrated crampons slot that fits with any ATK original crampon.





MADE IN ITALY



RENTAL



RENTAL



RENT ME

420 grams



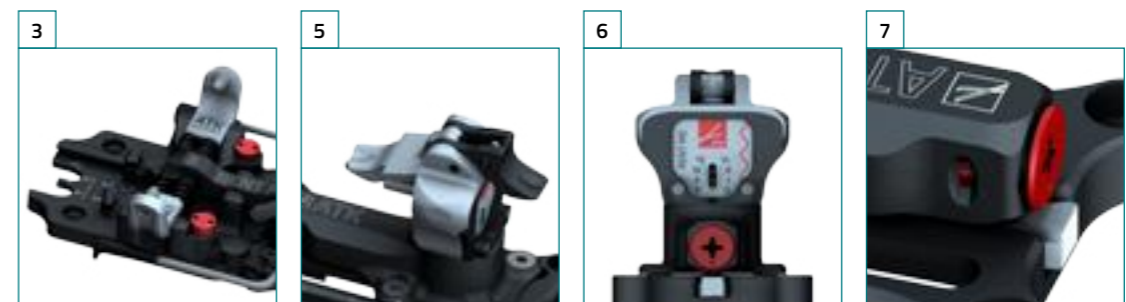
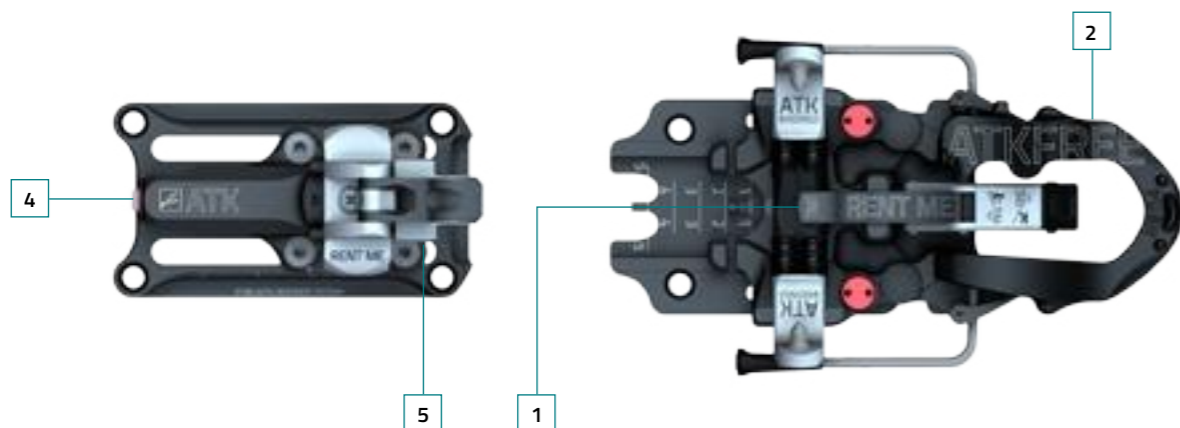
RENTAL

The ATK project dedicated to the world of rental. These bindings are designed in every single detail to bring a real innovation to the market. Starting with the silver color that is functional for a massive use and utilizing the same high quality materials sourced in the production of the other ATK® models, the RENT ME binding hits comfort and performance levels never achieved before with a rental binding.



- > **Materials** Alu Alloys, Stainless Steel, POM
- > **Release** 5-12
- > **Adjustment** 30+30 mm (60 tot)
- > **Ski brake** 86,91,97,102,108,120 mm
- > Always available

1. Easy Entry System : New toe geometry that optimizes the boot step-in, which results extremely reactive and powerful.
2. Included Ski-brakes: the binding offers different sizes (86, 91, 97, 102, 108, 120 mm) of front brakes to provide the perfect fit with any ski model.
3. The toe positioning can be adjusted in 1 second by pressing the 2 red buttons on the front part: the toe provides 30 mm adjustment with 5 steps of 7,5 mm each.
4. The heel position can be adjusted in 1 second by pressing the white plastic button on the heel part: the heel provides 30 mm adjustment with 30 steps of 1 mm each .
5. The MAGNETO® HEEL FLAPS SYSTEM provides 5 walking modes: FLAT MODE, +38 mm, +41 mm, +48 mm, +58 mm.
6. The heel provides a 5-12 adjustment range for the Vertical Release System (My).
7. The heel provides a 5-12 adjustment range for the Side Release System (Mz).





MADE IN ITALY



ATK ACCESSORIES



ATK ACCESSORIES

NEW



Touring Ski brake

The first ski touring brake that fits with the whole RACE, SPEED TOURING and TOURING bindings range, including those produced in the past and already out of the ATK collection. Available in several different sizes to perfectly fit your skis, including super skinny racing ones (75, 86, 91, 97, 102, 108, 120 mm).

80 GRAMS

ALL RACE
SPEED TOURING
& TOURING LINE

FITS WITH

BRAKING POSITION



UP HILL



DOWN HILL



R.C.A. WORLD CUP



REVOLUTION WORLD CUP



SL EVO WORLD CUP



SL EVO LIGHTWEIGHT WORLD CUP



TROFEO



SLR RELEASE



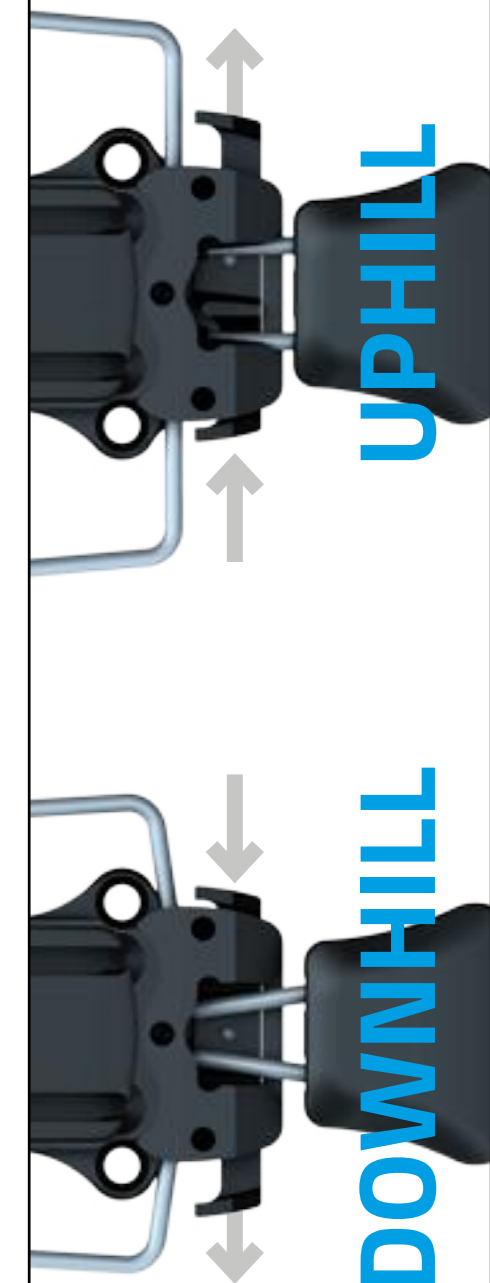
TROFEO PLUS



HAUTE ROUTE 2.0



CREST



UPHILL

DOWNHILL

ATK ACCESSORIES



FITS WITH

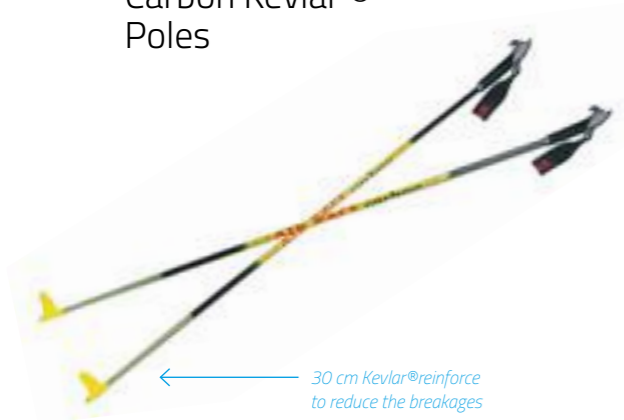
- RACE
- SPEED TOURING
- TOURING
- FREE TOURING
- RENTAL



Poles

BR01

Carbon Kevlar® Poles



← 30 cm Kevlar®reinforce to reduce the breakages

B01

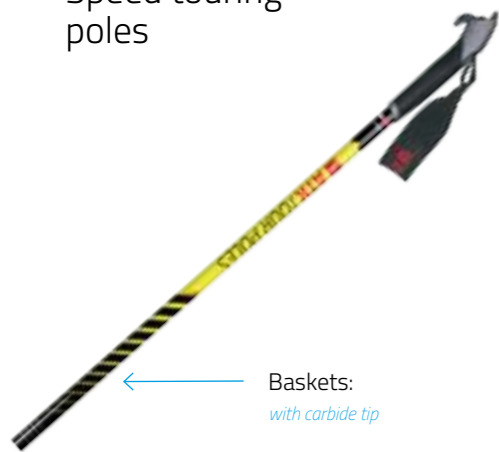
Vertical Carbon Poles



Baskets:
designed to guarantee an optimum discharge of the snow

BE

Speed touring poles



← Baskets:
with carbide tip



← BI-MATERIAL
grips with a string of 24 mm to have the best grip at any time



DUPLO GRIPS
grips with a string of 24 mm to have the best grip at any time

Carbon Kevlar® Poles / BR01

- > Length: 155 Cm
- > Weight: 85 Gr/mt
- > Materials: 100% Carbon and Kevlar®
- > Made for: maximum balance and stability with a record weight. This version has an additional reinforce in Kevlar® in order to prevent breakages. Complies with the ISMF regulations.

Vertical Carbon Poles / B01

- > Length: 155 Cm
- > Weight: 75 Gr/mt
- > Materials: 100% Carbon
- > Made for: maximum balance and stability in only 75 grams/mt. Excellent resistance/stiffness ratio. Complies with the ISMF regulations.

Speed touring poles / BE

- > Made for: lightweight and ergonomic design ideal for skiers who wants an indestructible pole
- > Weight: 180 Gr (130 cm)
- > Length: 115, 120, 125, 130, 140, 145 CM
- > Materials: Alu 7075

Crampons

RA070R



NEW Superlight Race Crampons

- > Made For: Lighthness and maximum grip to reach best performances facing steep slopes on hard snow and ice
- > Size: 70mm
- > Weight: 49 gr
- > Fits With: Reparto Corse
- > Material: Aluminum Alloys

RA



Crampons

- > Made For: maximum grip on hard snow thanks to the aggressive tip shape.
- > Size: 86, 97, 108, 120, 135
- > Fits With: any ATK binding with a crampons hook
- > Material: Aluminum Alloys



FITS WITH

- RACE
- SPEED TOURING
- TOURING
- FREE TOURING
- RENTAL

Rescue Kit

PC01

Rescue Snow Carbon Shovel

Made For: Designed specifically for competitions. Despite the low weight, it provides precision and performance in case of emergency during races. It can be easily placed in any backpack making an eventual protection for the athlete in case of a fall. Complies with the ISMF regulation (International Ski Mountaineering Federation).

Aluminum ergonomic handle

100% Carbon Spoon



Rescue Snow Carbon Shovel / PC01

- > Spoon Size (mm): 210 x 240
- > Weight (gr): 245
- > Total Length (mm): 500
- > Material: 100% Carbon & Aluminum alloys
- > Maximum Load: over 100 kg on the joint between the handle and the shovel



PC02

"PDG" Extension for Rescue Snow Carbon Shovel

"PDG" Extension Rescue Snow Carbon Shovel / PC02

- > Weight: 68 gr
- > Material: Pure Carbon 100%



Characteristics: Designed specifically for ski mountaineering competitions. It is made of fine pure carbon. Comply with the ISMF regulation (International Ski Mountaineering Federation).

S01

Rescue Snow Carbon Probe

- > Weight: 110 gr
- > Length: 240 cm (extended) – 38 cm (folded)
- > Material: Pure Carbon 100%



7 Pieces

Leashes

SBC02

Kevlar® Core Leash

Security ring that reduces the traction resistance from 80 kg to 40 kg to fit the lightweight users

PU coiled coating + Kevlar Core®: always adhering to your boot, very high resistance/weight ratio.



Kevlar® Core Leash / SBC02

- > Made For: Reduces the ski loss probability
- > Fits With: Universal

AL05



Universal Freeride Spacer / AL05

- > Made For: to optimize the transmission of the boot-ski impulses, to transfers directly to the ski the vertical jumps loads without excessively stressing the boot structure.
- > Fits With: any ski touring binding heel part, on condition that the space between the sole of the boot and the ski in the installation area is between 14.5 mm and 20 mm.
- > Materials: POM

AL07



Freeride Spacer for R12 2.0 | FR14 2.0 / AL07

- > Made For: to optimize the transmission of impulses coming from the boot deleting the empty space between the sole of the boot and the top-sheet of the ski, to directly transfer to the ski the vertical jumps loads without excessively stressing the boot structure.
- > Weight: 30 gr
- > Materials: POM

Micro adjustment

AL08



Freeride Spacer for Rent me / AL08

- > Made For: to optimize the transmission of impulses coming from the boot deleting the empty space between the sole of the boot and the top-sheet of the ski, to directly transfer to the ski the vertical jumps loads without excessively stressing the boot structure.
- > Weight: 30 gr
- > Materials: POM

Spacers

ATK ACCESSORIES



- FITS WITH
- RACE
 - SPEED TOURING
 - TOURING
 - FREE TOURING
 - RENTAL



ATK SPARE PARTS

Adjustment Plates

R01



Long Heel Adjustment Plate / R01

- > Made for: Translation of the heel Adjustment up to 30 mm
- > Materials: Aluminum Alloys
- > Weight: 20 gr

R04



Rental Heel Plate / R04

- > Made for: Rental use - Ultra rapid adjustment of the heel over 60 mm
- > Materials: Aluminum Alloys
- > Weight: 70 gr

R06



Heel Adjustments Plate for Tilt® and Radical® Pre-Drilled Skis Plates / R06

- > Made for: to install ATK® heel on TLT® and RADICAL® pre-drilled skis without drilling again and to get an additional adjustment (25mm)
- > Materials: Aluminum Alloys
- > Weight: 38,5 gr

R07



Heel Adjustment Plate for Atk® Pre-Drilled Skis Plates / R07

- > Made for: to translate ATK® heel on pre-drilled skis without drilling again and to get as additional 15 mm of adjustment
- > Materials: Aluminum Alloys
- > Weight: 36 gr

R013



Toe Adjustment Plate / R013

- > Made for: Optimal adjustment of the toe part. Combined with the heel adjustment plate R01, offers 3 different positions of the binding on the ski and perfect performance in all snow conditions
- > Materials: Aluminum Alloys
- > Weight: 39 gr

R08A



Plates / R08A

- > Made for: Wide skis, optimizes the connection between ski and binding, eliminating any torsional movement; 3 fixing positions (0, +/- 13.5 mm)
- > Materials: Aluminum Alloys
- > Weight: 35 gr



ATK SPARE PARTS

Broken part? Dont' worry.... Just replace it! Check our huge range spare parts including heel covers, U springs, ski -brakes... Your bindings will look new again.

- FITS WITH
- RACE
 - SPEED TOURING
 - TOURING
 - FREE TOURING
 - RENTAL

Spare parts

K07W



Race Heel Cover (Orange)
M.y. 11-12 / K07W

- Includes:
- > N. 2 ORANGE HEEL COVER
 - > N. 4 NYLON WASHERS
 - > NR. 2 HEEL COVER SCREWS TX 10
 - > NR. 2 "U" springs clamping screws

K07.1W



Race Heel Cover (Orange)
M.y. > 12-13 / K07.1W

- Includes:
- > N. 2 ORANGE HEEL COVER
 - > N. 4 NYLON WASHERS
 - > NR. 2 HEEL COVER SCREWS TX 10
 - > NR. 2 "U" springs clamping screws

K07.2W



Race Heel Cover (Silver)
M.y. > 12-13 / K07.2W

- Includes:
- > N. 2 SILVER HEEL COVER
 - > N. 4 NYLON WASHERS
 - > NR. 2 HEEL COVER SCREWS TX 10
 - > NR. 2 "U" springs clamping screws

K07.3W



Race Heel Cover (Gold)
M.y. > 12-13 / K07.3W

- Includes:
- > N. 2 GOLD HEEL COVER
 - > N. 4 NYLON WASHERS
 - > NR. 2 HEEL COVER SCREWS TX 10
 - > NR. 2 "U" springs clamping screws

PP01



Baskets For Carbon Kevlar® Poles / PP01

- > Made for: guarantee an optimum discharge of snow, keeping the best support possible
- > Include: N. 2 Baskets
- > Fits with: BR01-Carbon Kevlar®Poles

PP02



Baskets For Carbon Poles / PP02

- > Made for: guarantee an optimum discharge of snow, keeping the best support possible
- > Include: N. 2 Baskets
- > Fits with: B01-Vertical Carbon Poles

K07.4W



Race Heel Cover (Violet)
M.y. > 12-13 / K07.4W

- Includes:
- > N. 2 VIOLET HEEL COVER
 - > N. 4 NYLON WASHERS
 - > NR. 2 HEEL COVER SCREWS TX 10
 - > NR. 2 "U" springs clamping screws

K07.5W



Race Heel Cover (Black)
M.y. > 12-13 / K07.5W

- Includes:
- > N. 2 BLACK HEEL COVER
 - > N. 4 NYLON WASHERS
 - > NR. 2 HEEL COVER SCREWS TX 10
 - > NR. 2 "U" springs clamping screws

K13W



"SLR RELEASE" HEEL COVER / K13W

- Includes:
- > N.2 SLR RELEASE heel covers
 - > N. 4 Nylon washers
 - > N.2 Heel cover screws

K14W



"SLR LOGIC" HEEL COVER / K14W

- Includes:
- > N.2 SLR LOGIC heel covers
 - > N. 4 Nylon washers
 - > N.2 Heel cover screws

K02W



NX Heel Cover Kit / K02W

- Includes:
- > NR. 2 HEEL COVER
 - > NR. 4 SCREWS M4, TX15
 - > NR. 4 NYLON® SPACERS

K08W



Titanium "U" Spring Kit / K08W

- Includes:
- > N. 2 Titanium "U" springs
 - > N. 2 Standard Clamping screws
 - > N. 2 "New design" Clamping screws

K08.1W



Titanium "Lightweight" "U" Spring Kit / K08.1W

- Includes:
- > N. 2 Titanium "Lightweight" "U" springs
 - > N. 2 Standard Clamping screws
 - > N. 2 "New design" Clamping screws

K12W



STEEL "U" SPRING / K12W

- Includes:
- > N. 2 Milled Steel "U" Springs
 - > N. 2 Standard Clamping screws
 - > N. 2 "New design" Clamping screws
 - > Fits with: Trofeo, Slr Logic, Slr Release
 - > Value 4, 6, 8, 10

SK



Ski-Brake / SK

- > Made For: replace or change the size of your brakes
- > Size: 75, 86, 91, 97, 102, 108, 120, 135 mm

K10W



Spare Brake Caps Kit / K10W

- Include:
- > two left caps
 - > two right caps

K11W



Protection Cap Kit For Frontal Lever / K11W

- Include:
- > N.2 Cap for frontal lever
 - > N. 2 Stainless steel pin

MA01



Grips / MA01

- > Made for: guarantee an optimum discharge of snow, keeping the best support possible
- > Include: N. 2 Grip
- > Fits with: B01, BR01



ATK Tools

M05



Automatic Drilling Jig / M05

> Made For: To easily drill and install any ATK binding

M05D



Back insert for R12 2.0, FR14 2.0 & RENT ME holes pattern / M05D

> Made For: To drill 2.0 and rental bindings

V01



Self-Tapping Screws Set 11 mm / V01

> Made For: to fix bindings or plates on the ski
> Include: N.16 Self-tapping screw L11 mm x \varnothing 5,7 mm

V02



Self-Tapping Screws Set 13 mm / V02

> Made For: to fix bindings or plates on the ski
> Include: N.16 Self-tapping screw L13 mm x \varnothing 5,7 mm

V08



8 Screws Set for Plates R06 & R07 / V08

> Made For: to fix heel parts on R06/R07
> Include: N. 8 CROSSHEAD SCREW M5X6

V09



6 Special Self-Drilling Screws Set For Sbu / V09

> Made For: to fix ski brake SBU on the ski
> Include: N. 6 SELF-TAPPING SCREW \varnothing 3,5X9,5

V10



24 Self-Tapping Screws 13Mm / V10

> Made For: to fix Newmark Freelock heel part and Freerider14 on the ski
> Include: N. 6 SELF-TAPPING SCREWS \varnothing 5,7X13

V11



Race Screws Set (Titanium) / V11

> Made For: fixing Revolution and RCA
> Weight Save: 8.5 grams each 16 screws
> Include: N.16 TITANIUM SELF-TAPPING SCREWS

V03



Screws for Plates Set / V03

> Made For: to fix heel part on plates (except Rental)
> Include: N. 8 SCREW M5X8.2 TSP X20
N. 8 NUT

V04



Self-Tapping Screws Set 15 mm / V04

> Made For: to fix bindings or plates on the ski
> Include: N.16 Self-tapping screw L15 mm x \varnothing 5,7 mm

V06



Screws Set for Toe Adjustment Plates / V06

> Made For: to fix toe parts on the plates
> Include: N. 8 SCREWS M6X9.8 TSP X20

SG01



Atk Grease / SG01

> Made For: for the perfect maintenance of the bindings
> Capacity: 8 gr

SD01



Atk Screwdriver / SD01

> Made For: to work perfectly on the bindings
> Include: N. 1 TORX INSERT TX20 1. Phillips 2 Insert PH2

EXP01



Rolling Display for Bindings / EXP01

> Made For: to expose 4 bindings
> Fits With: all ATK bindings

EXP02



Alu Display for Race/Race Tour / EXP02

> Made For: to expose 1/s pair of bindings (1 toe + 1 heel)
> Fits With: RACE RACE TOURING

EXP03



Alu Display for Free Bindings / EXP03

> Made For: to expose 1/s pair of bindings (1 toe + 1 heel)
> Fits With: FREE-TOURING FREERIDE



ATK Workstation

MODE OF USE



ATKWS



BASIC / ATKWS

Hooking system for lowtech bindings + Rolls to stabilize the ski

Uses:
> Preparation of the ski edges
> Ski base processing

ATKWS.1



INTERMEDIATE / ATKWS.1

Hooking system for lowtech bindings + Rolls to stabilize the ski + Adjustable vise For ski with width from 60 to 140 mm

Uses:
> Preparation of the ski edges
> Ski base processing
> Mounting and servicing of bindings

ATKWS.2



TOP / ATKWS.2

Hooking system for lowtech bindings + Rolls to stabilize the ski + Adjustable vise For ski with width from 60 to 140 mm + Pedestal

Uses:
> Preparation of the ski edges
> Ski base processing
> Mounting and servicing of bindings
> You can use it everywhere, without any bearing plane

The complete tool for mounting and servicing of all skis with pin bindings



1 | Ski base processing mode (maintenance / waxing)



2 | Preparation mode of the right ski edge

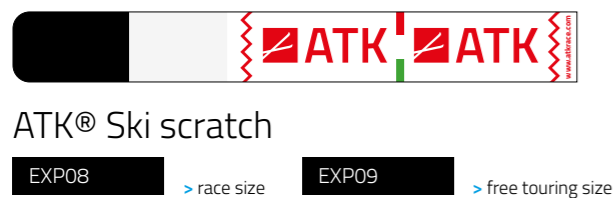
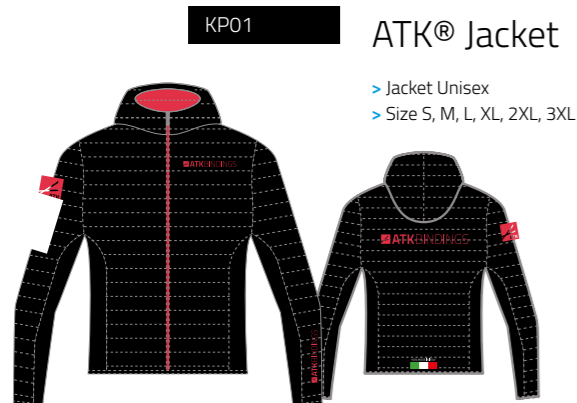


2a | Preparation mode of the left ski edge



3 | Vise mode for mounting and maintenance of bindings

ATK Merchandising & POP



ATK WORLDWIDE Distributors

Austria
Hagan Ski Ges.m.b.H.
 Andiesen 11
 A-4774 St. Marienkirchen
 Phone: +43 7711 33133-0
 info@hagan-ski.com
 www.hagan-ski.com

Argentina
THE EDGE SPORTS SA
 BARRIO PRIVADO-SANTA BARBARA
 Corredor Bancalari-Benavidez 3901-
 Lote 3114, CP (1617)Troncos del
 Talar-Gral.Pacheco-Tigre
 Prov. Buenos Aires (ARGENTINA)
 Phone: +54 9 1144703803
 daniel@theedgesport.com

Australia
EVEREST SPORTS
 28A, Ireland Street - 3741 Bright
 Victoria (AUSTRALIA)
 Phone: 61 3 5755 2227
 sales@everestsports.com.au
 www.everestsports.com.au

Bulgaria
NAMASTE LTD
 26b, Arch. Yordan Milanov - 1164
 Sofia (BULGARIA)
 Phone: +359 2866 9367
 info@namaste-bg.com
 www.namaste-bg.com

China
Snowfun (HongKong) Ltd.
 NO.555 CENTRAL AVENUE AIRPORT
 ECONOMIC DEVELOPE AREA.TIANJIN
 P.R.CHINA 300026Hong Kong
 Phone: +86-22-24157718
 +86-22-24157718
 walkafrance@126.com

Czech Republic
ALPSPORT
 Tyršova 25, Moravská Ostrava
 70200 Ostrava (CZECH REPUBLIC)
 Phone: +42 0 596 122 441
 vo@alpsport.cz | www.alpsport.cz

Finland
OAC FINLAND OY
 Lentolantie 15
 36220 Kangasala (FINLAND)
 Phone: +35810 2291650
 info@oac.fi | www.oac.fi

France
SPORT PULSION
 49 Route du Nant
 74350 Allonzier la Caille (FRANCE)
 Phone: +33 450465050
 info@sportpulsion.fr
 www.sportpulsion.fr

Germany
Agentur UP – Christian Neiger
 Ferdinand-Barth-Str.5
 82467 Garmisch-Partenkirchen
 Phone: +49 179 4938391
 Phone: +49 8821 9673097
 kontakt@outdoor-agentur-up.de
 www.outdoor-agentur-up.de

Georgia
MORGZAURI RENT
 Vaja Pshavela Street, 91
 Tbilisi (GEORGIA)
 Phone: +995599 32 55 95
 info@mogzaurent.ge
 www.mogzaurent.ge

Great Britain
FREEZE PRO SHOP
 8 South Gyle Crescent Lane
 Edinburgh EH12 9EG
 (GREAT BRITAIN)
 Phone: 01312609677
 www.freezeproshop.com
 contact@freezeproshop.com

Greece
FIFTH ELEMENT
 kai, Dagkli, Ioannina 454 44 (GREECE)
 Phone: +30 265 1037309
 info@fifthelement.gr
 www.fifthelement.gr

Iceland
BAK-LAND Mr. Magnusson
 Gunnlaugur Hladhamrar 3
 112 Reykjavik (ICELAND)
 Phone: +354 853-8551
 magg.bakland@gmail.com

Japan
MIYAKO SPORTS CO.,LTD.
 113-0034 4-5-5 Yushima
 Bunkyo-Ku Tokyo (JAPAN)
 Phone: +81 33815 311
 m.int.dpt@miyakosports.co.jp
 www.miyakosports.co.jp

Kazakhstan
LIMPOPO OUTDOOR
 Seyfullin Avenue 534, Almaty,
 (Kazakhstan)
 Phone: +7 (727) 261-70-61
 limpopo-kz@mail.ru
 Krasnoborodkin Andrey

Norway
Fast-Sports AS
 Brobekkveien 31
 0598 Oslo (NORWAY)
 Phone: +47 92632696
 kai@fast-sports.no
 www.fast-sports.no

Poland
MAJESTY Skis&Outerwear
 MJST Sp. z o.o. ul. Wendy 15
 81-341 Gdynia (Poland)
 Phone +48 58 620 00 66
 majesty@majestyskis.com
 www.majestyskis.com

Romania
MANEA RARES IULIAN PFA
 Jud. Brasov, Doctor Ioan Senchea
 Street, Nr. 110 | Zarnesti 505800
 (ROMANIA)
 Phone: +40 767 759 725
 raresm_ski@yahoo.com
 www.skimo.ro

Slovenia
ZIGA SPORT
 Mjlie 57 - 4212 Visoko (SLOVENIA)
 Phone: 00386 40 298 168
 info@11-11.si
 www.11-11.si

Slovakia
PISO SPORT
 Samuela Nováka, 2194 - 026 01
 Dolný Kubín (SLOVAKIA)
 Phone: 00421 907 827 264
 pisporsport@pisporsport.sk
 www.skialpinista.sk

South Korea
HIMAZONE
 6-19 Gyeongchun-ro 227beon-gil
 Guri-si Gyeonggi-do
 South Korea 11926
 Phone: +82.31.566.2336
 kish7911@gmail.com

Russia
ALPEX
 Srednyaya Pereyaslavskaya ukl. 13,
 129110 Moscow (RUSSIA)
 Phone: +007 4956311855
 alpex@sherpa.ru
 www.alpex-outdoor.ru

Spain
M.D.VIPER, S.A
 C/De la Mora,
 12 Pl. Badalona Sud – Granland,
 08918 Badalona (SPAIN)
 Phone: +34933004600
 viper@viper-sport.com
 www.viper-sport.com

Sweden
Bergsbo PF AB
 Göteborgsvägen 89,
 43130 Mölndal (SWEDEN)
 Phone: +46706913141
 info@bergsbo.com
 www.facebook.com/BergsboPF

Switzerland
IBEX SPORT GMBH
 Naasstrasse 12
 6315 Morgarten (SWITZERLAND)
 Phone: +41 (0)41 750 60 61
 info@ibexsport.ch
 www.ibexsport.ch

Italy Headquarters
ATK RACE srl
 Via della Fisica, 36
 41042 Fiorano - Modena (ITALY)
 Phone: +39 0536071831
 info@atkbindings.com
 www.atkbindings.com



SALITA
DISCESA
ESSENZA
ATK.

MADE IN ITALY





10  **ATK** BINDINGS
anniversary



ATK BINDINGS QR CODE

1. Dowload QR reader on your smart phone
2. Scan QR Code
3. Visit our web site

SALITA
DISCESA
ESSENZA
ATK 

Photo credits Giovanni Danieli, Willi Seebacher, Matteo Calcamuggi, Snow Life srl
Design Diversiassociati
Printing Litographic Group Srl - printed in January 2018

MADE IN ITALY



10  **ATK** BINDINGS
anniversary



ATK RACE srl

Via della Fisica 36
41042 Fiorano (MO)
Tel. + 39 0536-071831
Fax. + 39 0536-929141
Email: info@atkbindings.com

www.atkbindings.com

*WEARE***ATK**

